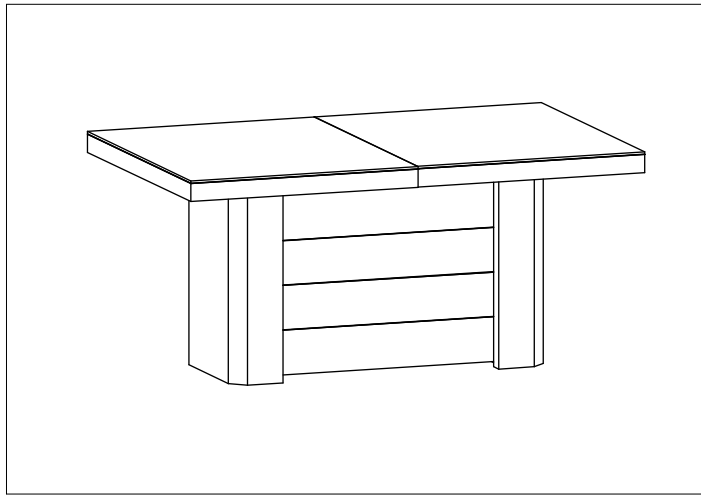




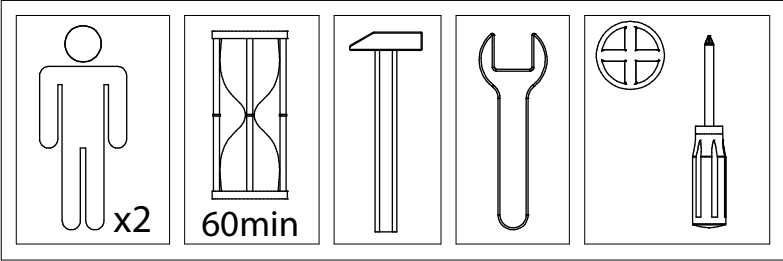
HUBERTUS DESIGN

- | | |
|----------------------------------|------------------------------|
| (D) Montageanleitung | (GB) Assembly instructions |
| (NL) Handleiding voor de montage | (PL) Instrukcja montażu |
| (TR) Montaj talimatı | (RU) Инструкция по монтажу |
| (RO) Instrucțiunile asamblare | (CZ) Montážní návod |
| (IT) Istruzioni per il montaggio | (FR) Instructions de montage |
| (SK) Montážny návod | (HU) Szerelési útmutató |



KOLOS / KOLOS 2

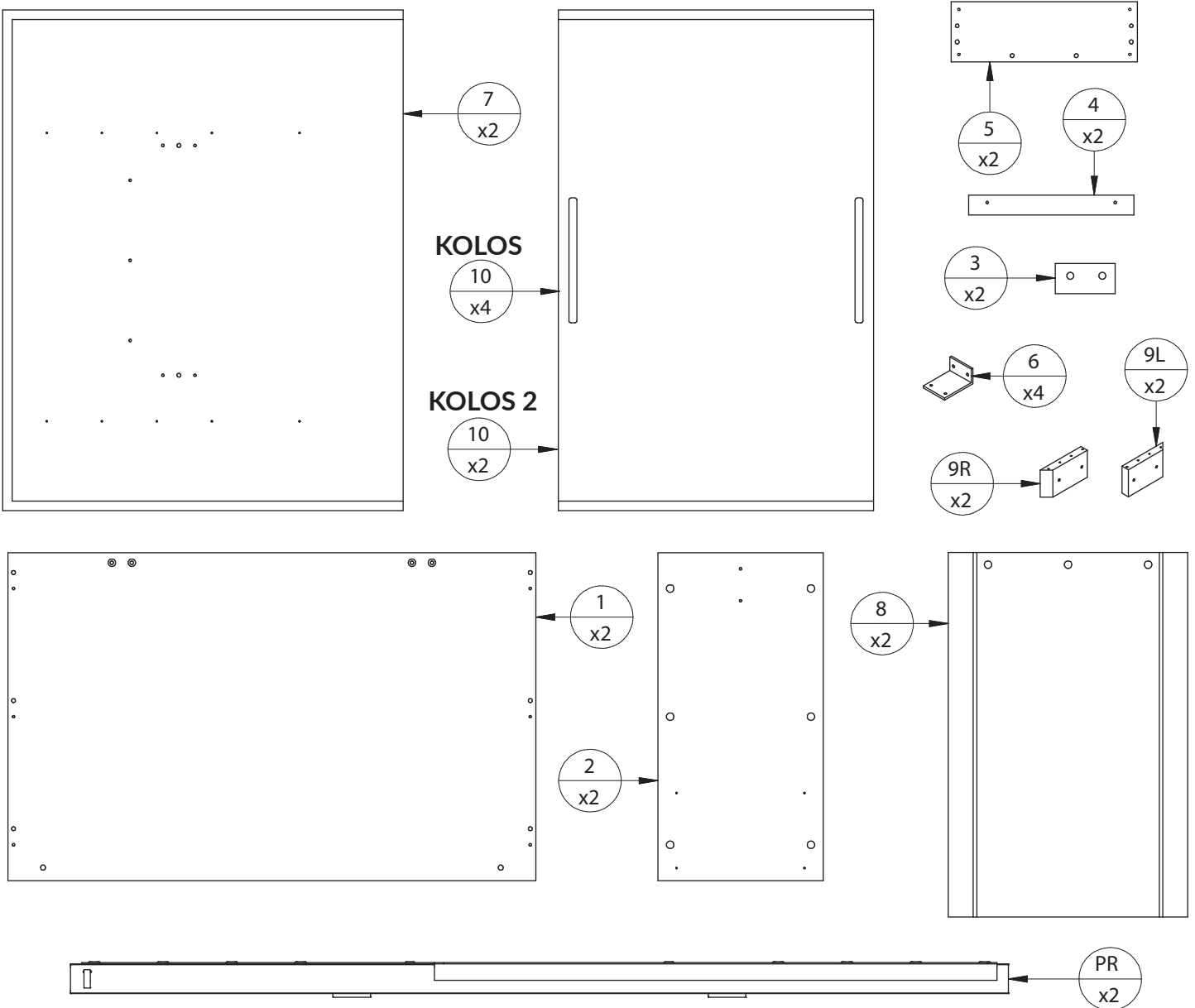
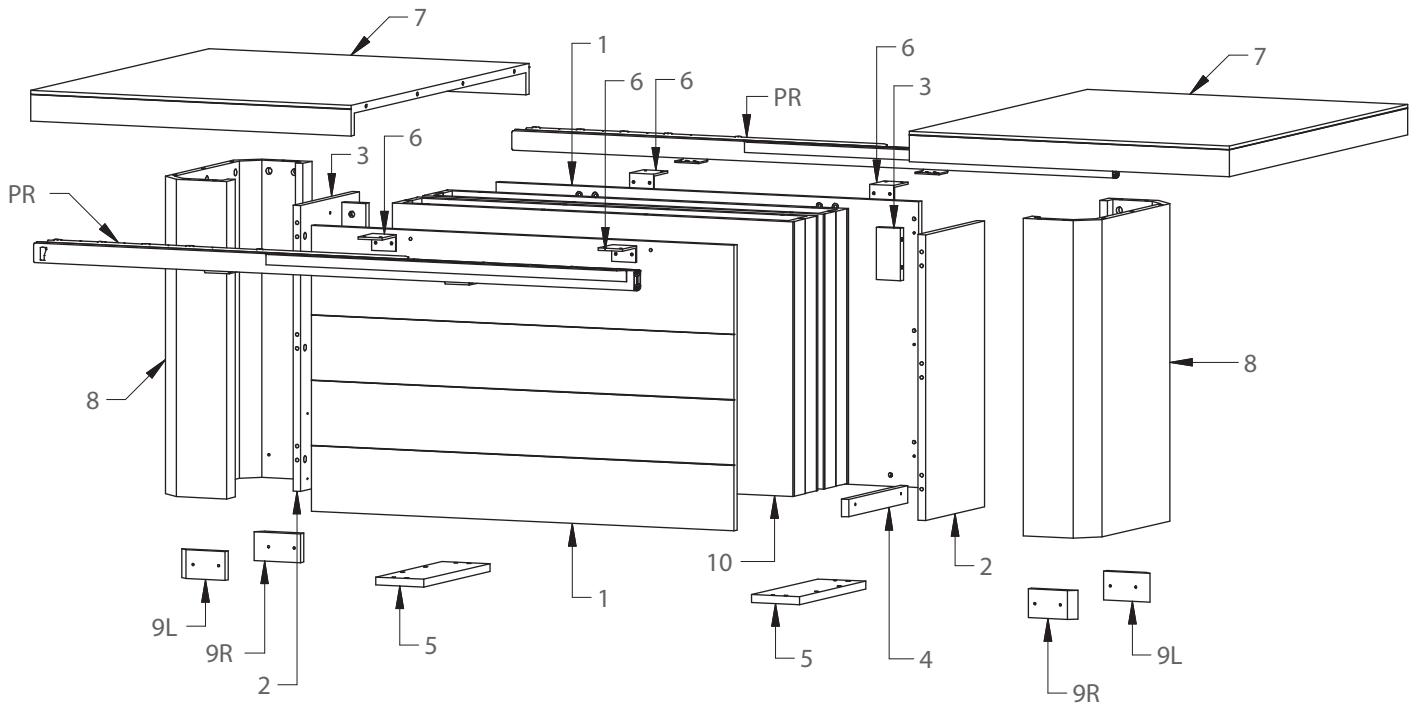
01 - 12/2017

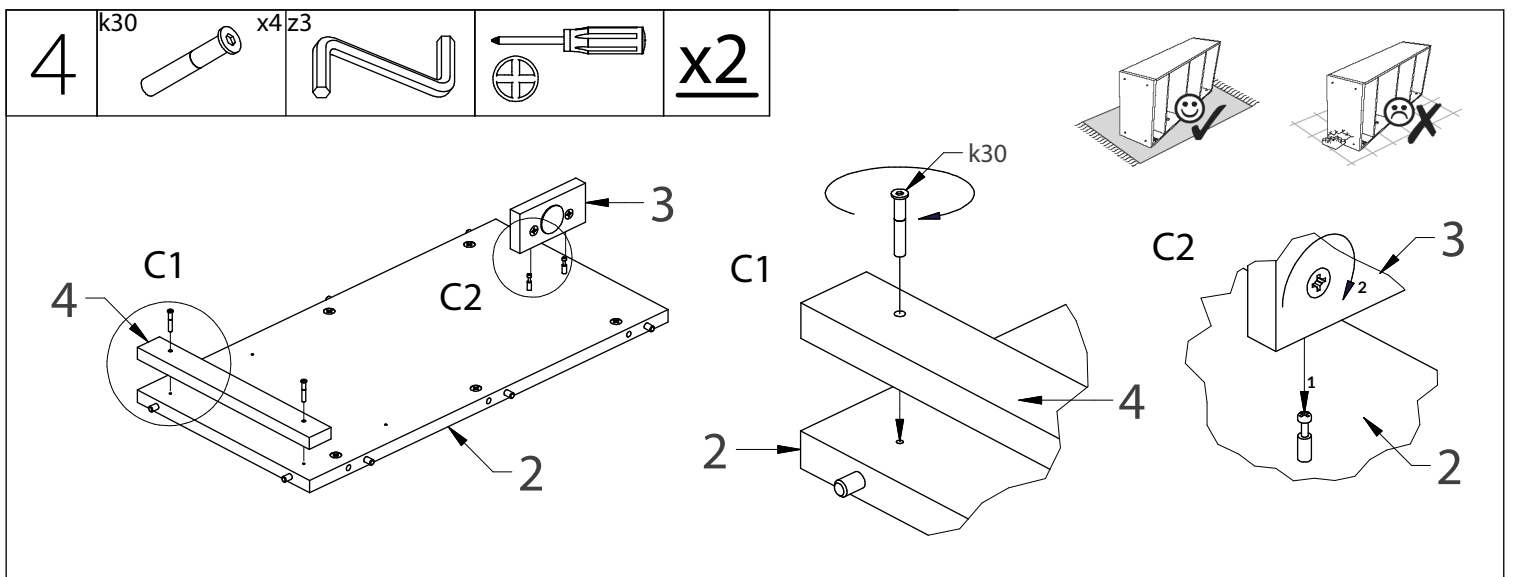
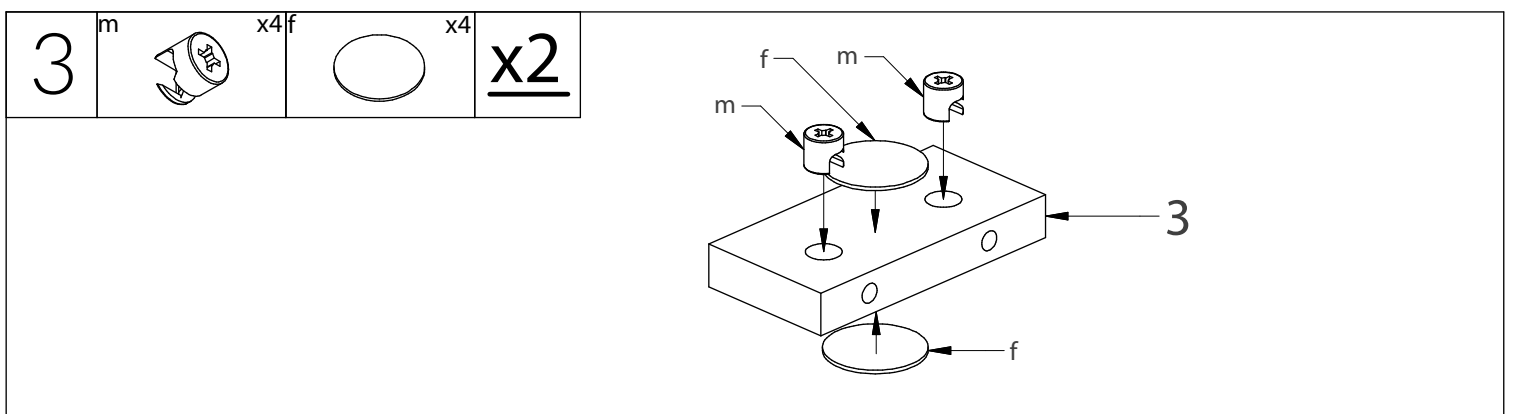
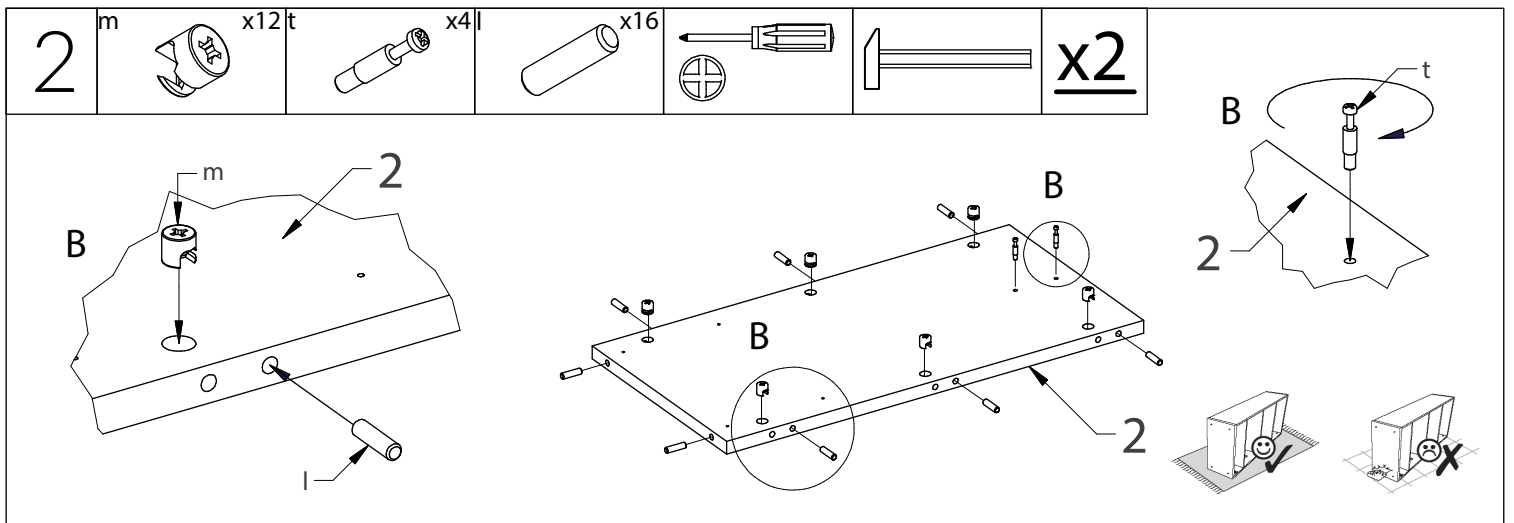
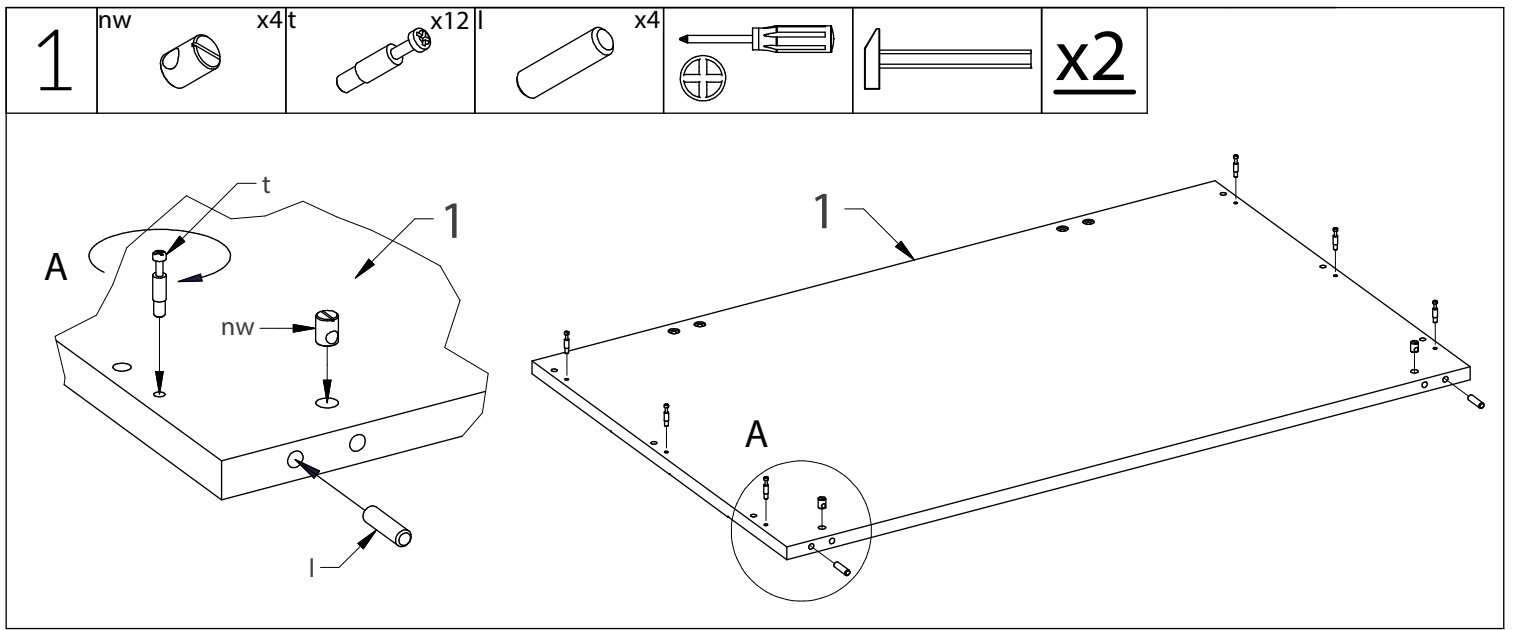


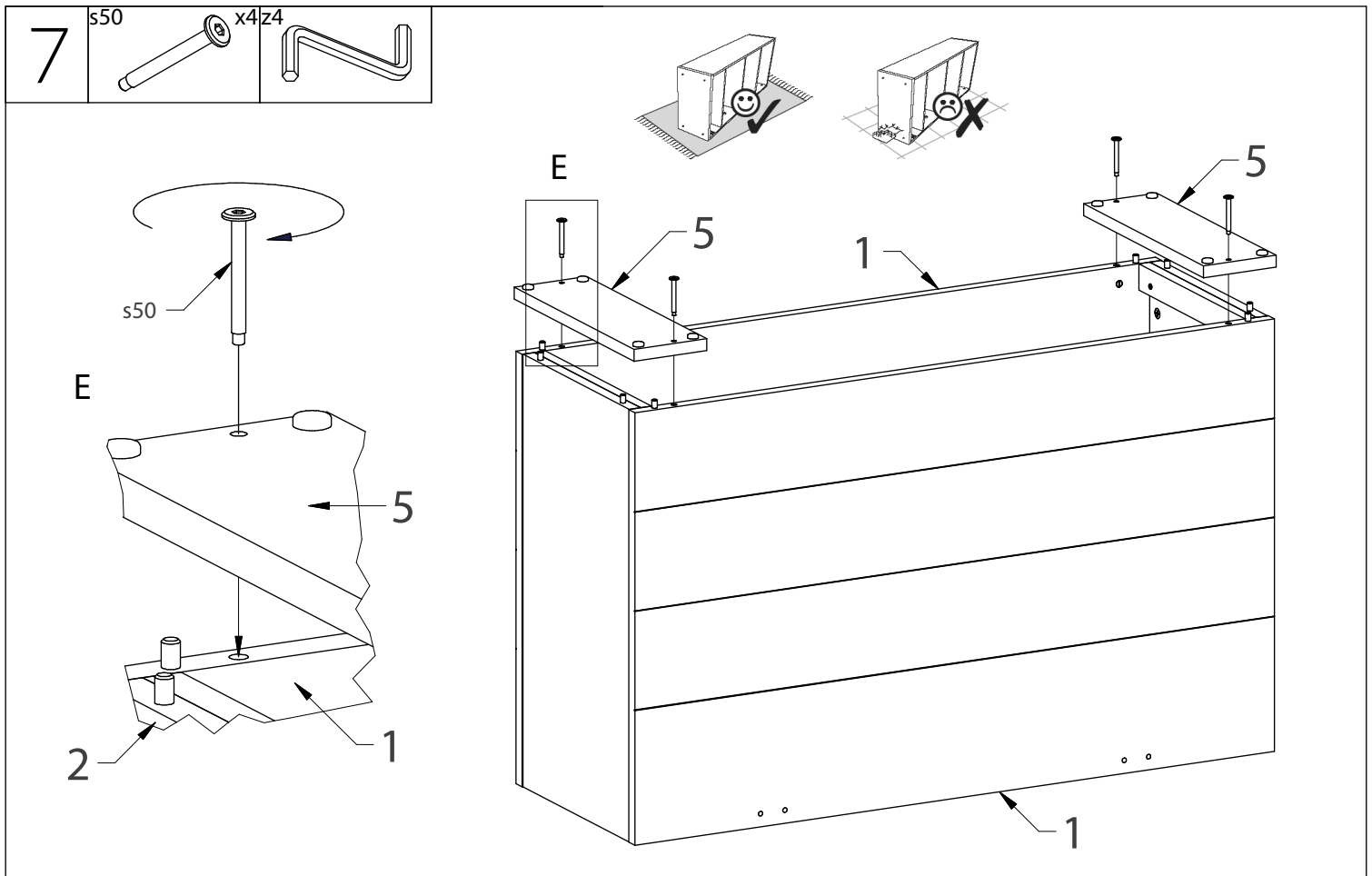
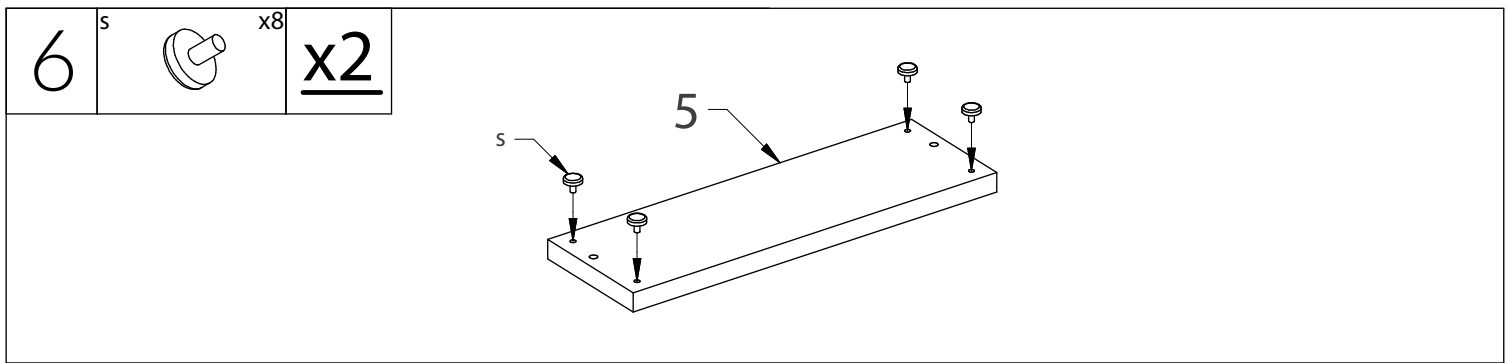
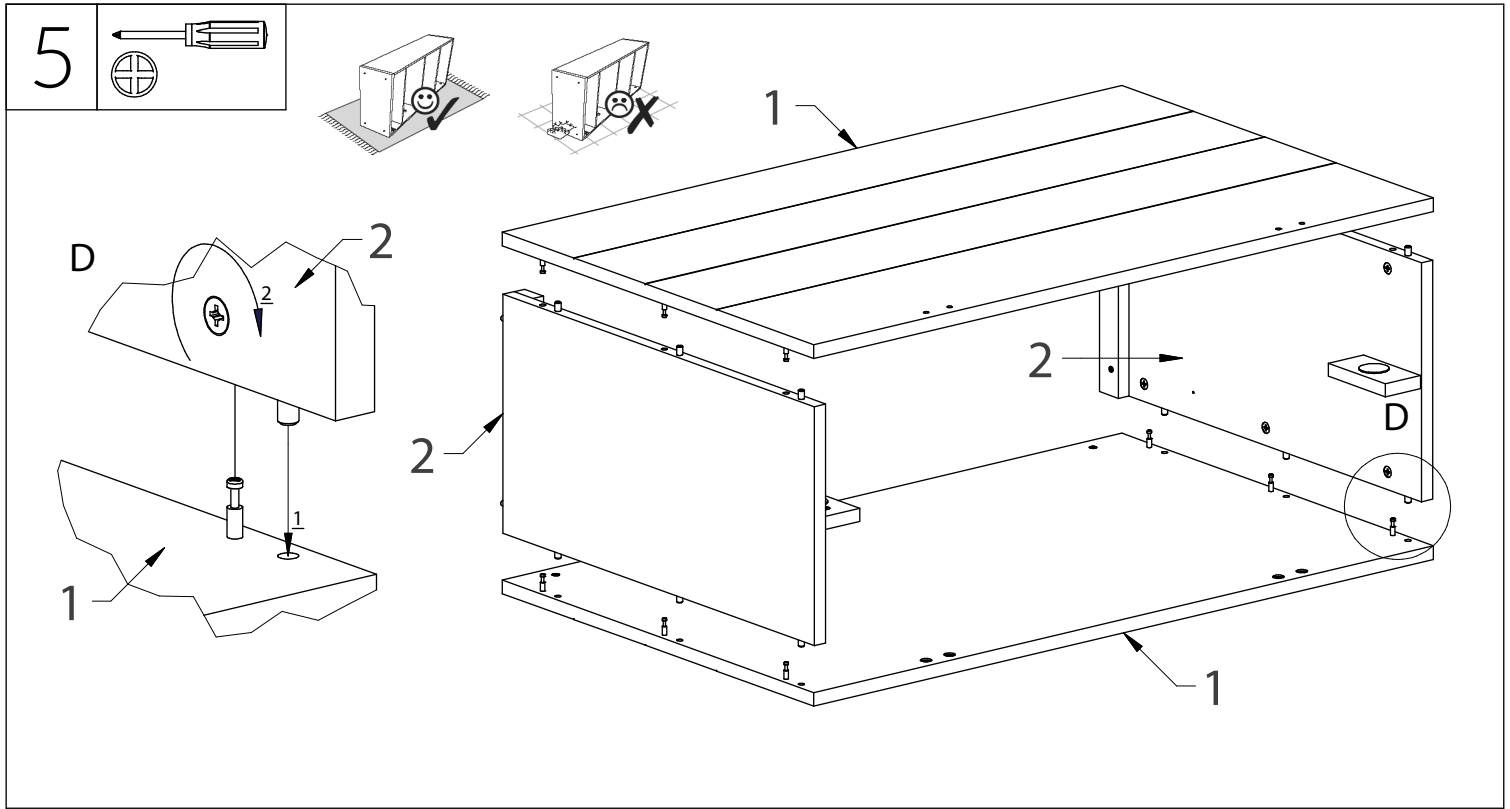
ew5 euro 5 x 13	x20	nw Ø10 x 13	x4	m Ø15	x30	f filc	x10
t L-24	x16	l Ø7,5 x 30	x24	s16 M5 x 16	x8	s30 M6 x 30	x8
td L-28	x14	n5 M5	x8	n6 M6	x8	s50 M6 x 50	x4
z4(z3) L-shaped bracket	x1(x1)	p5 Ø5 x 10	x16	p6 Ø6 x 12	x8		
k30 Ø5 x 30	x12	s Washer with hole	x8	w16 Ø3,5 x 16	x16	ko Corner bracket	x8

„KOLOS” - 10 - x4

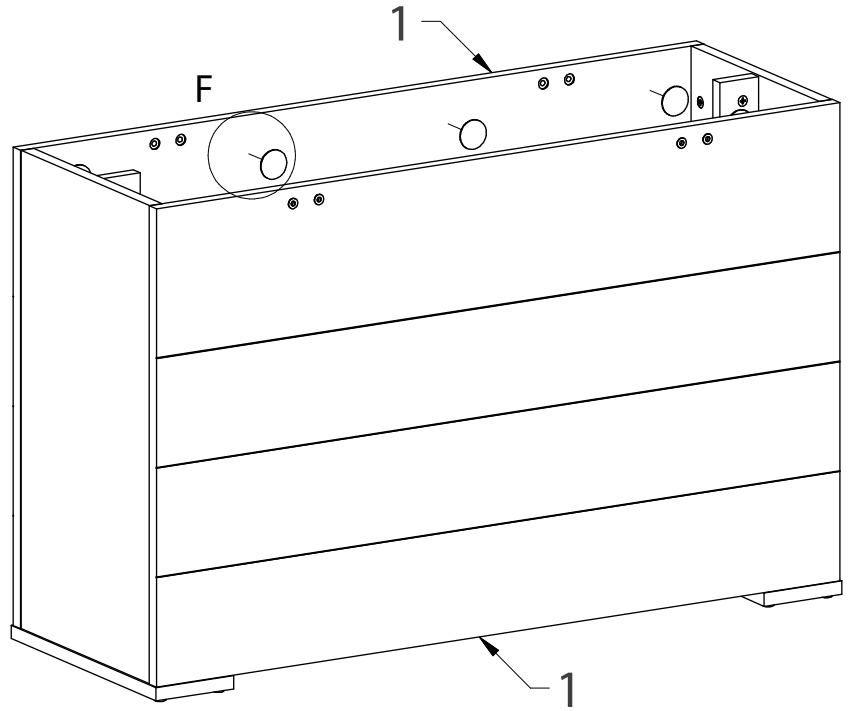
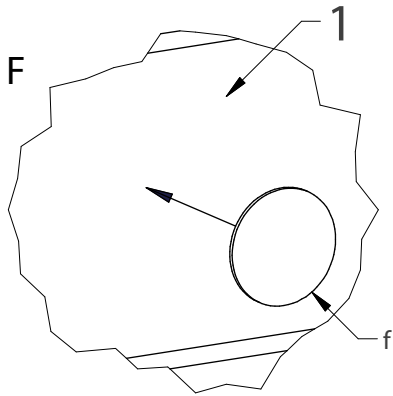
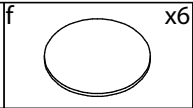
„KOLOS 2” - 10 - x2



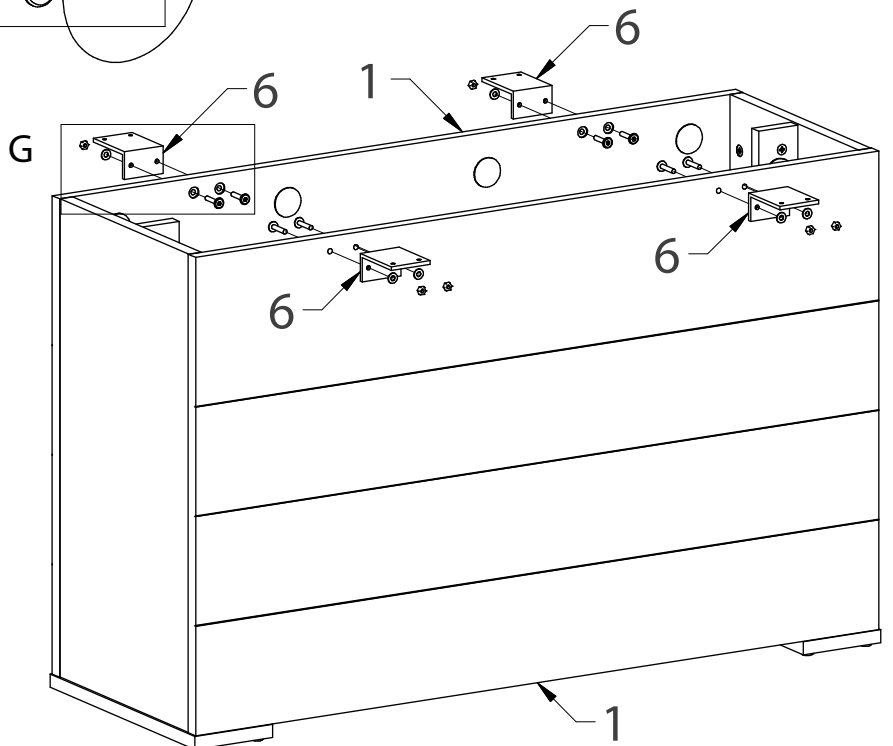
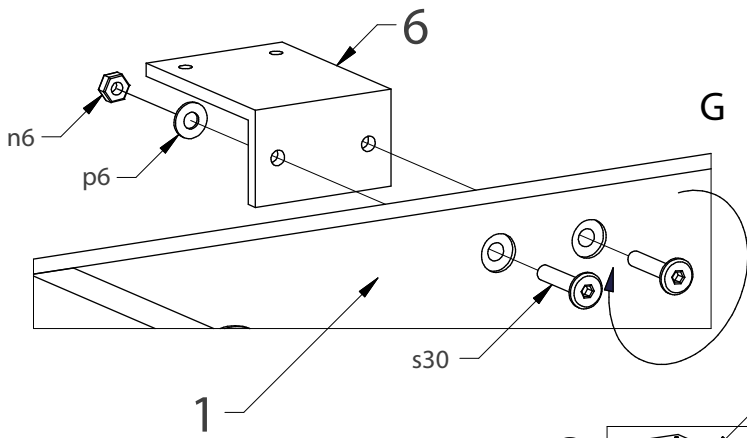
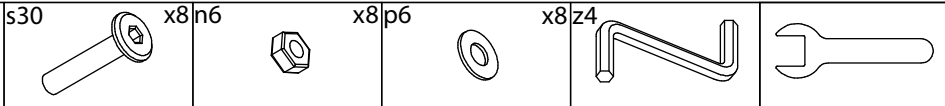




8



9



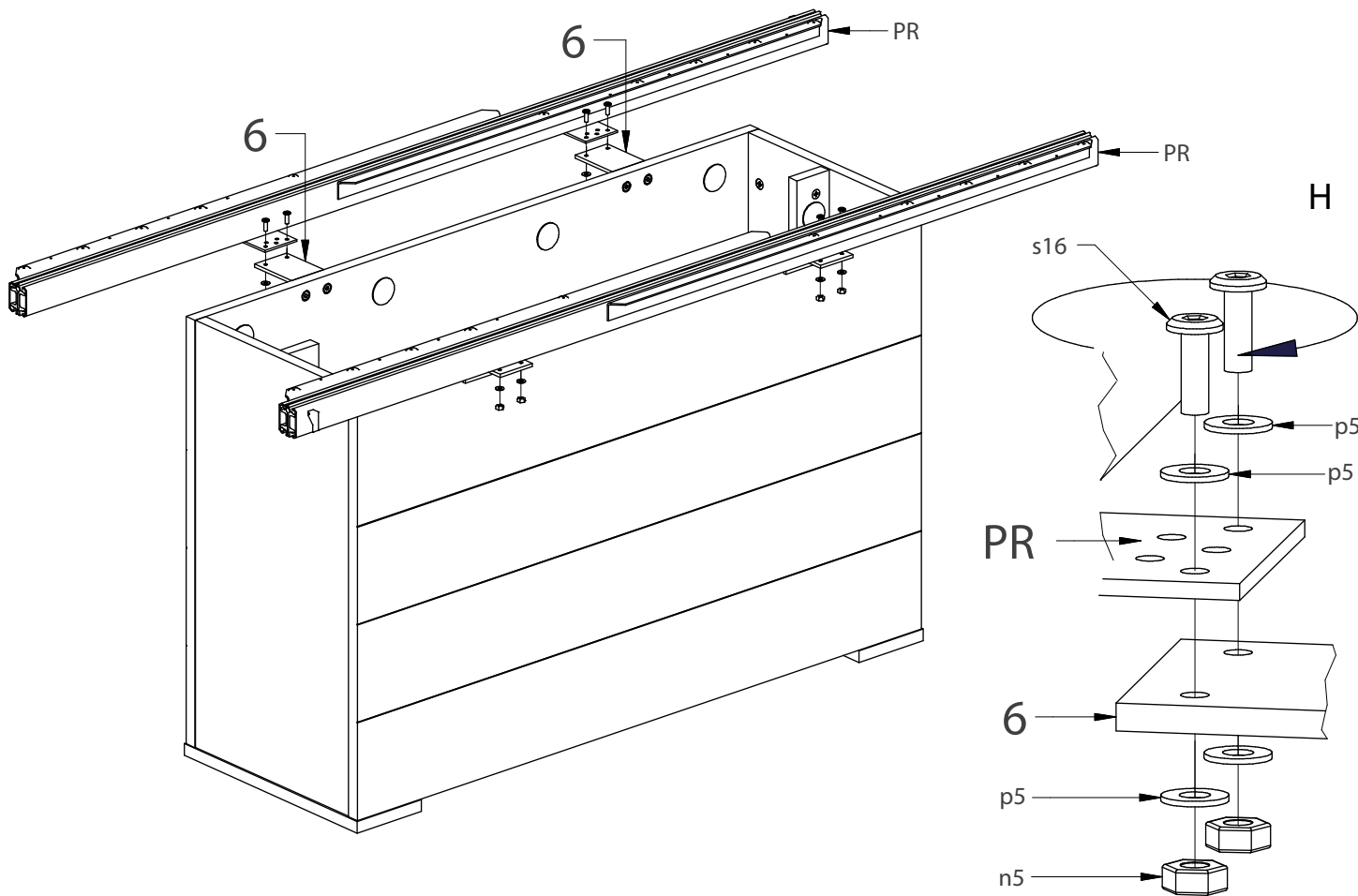
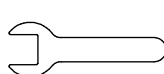
10

s16

x8 n5

x8 p5

x16 z4

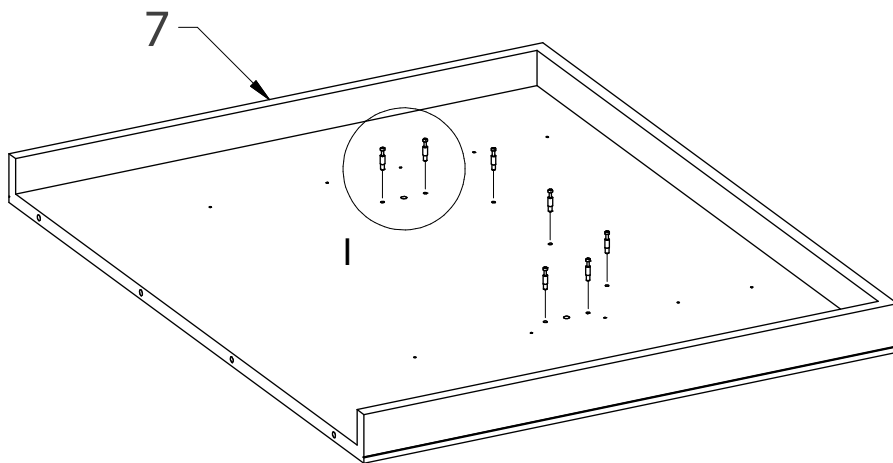
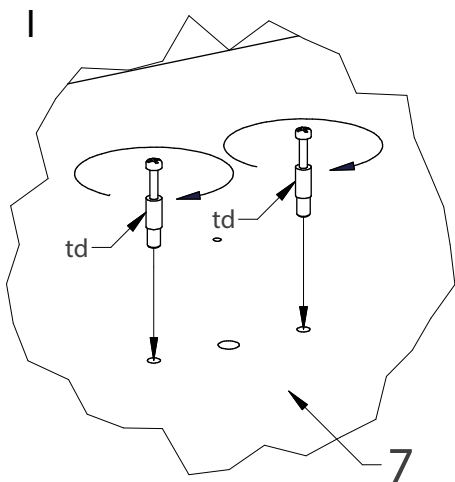
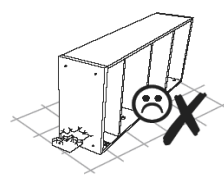
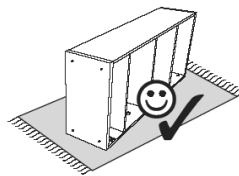
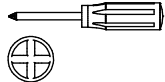
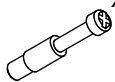


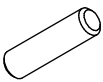

11

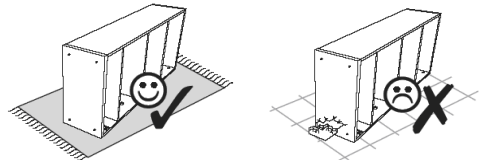
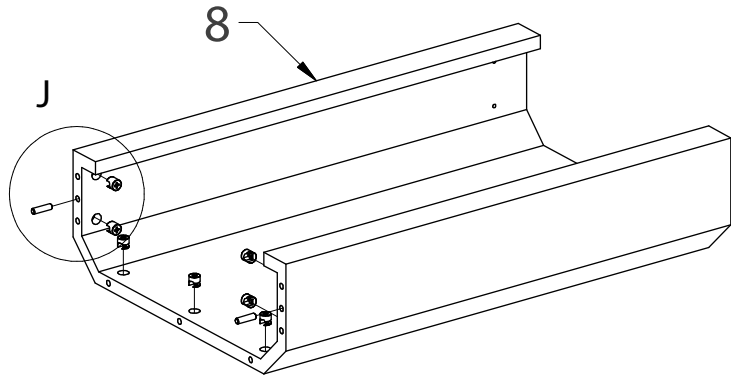
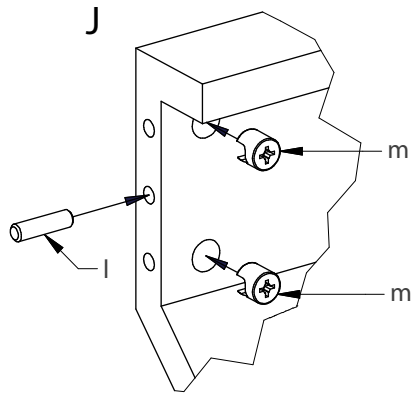
td



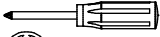

x14

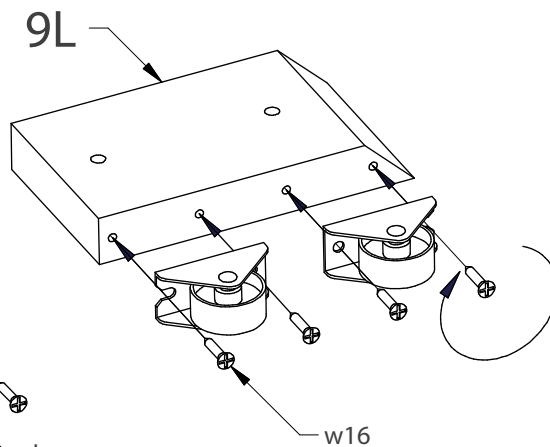
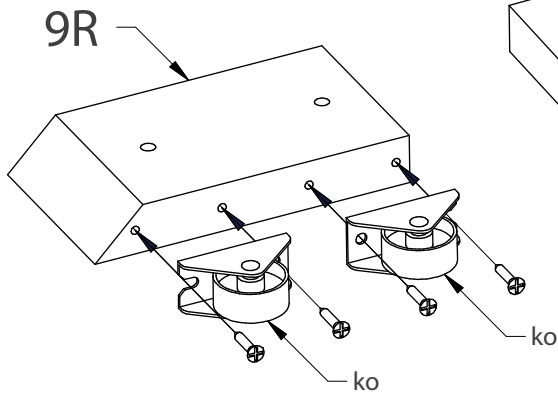
x2





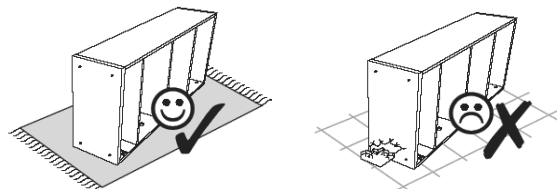
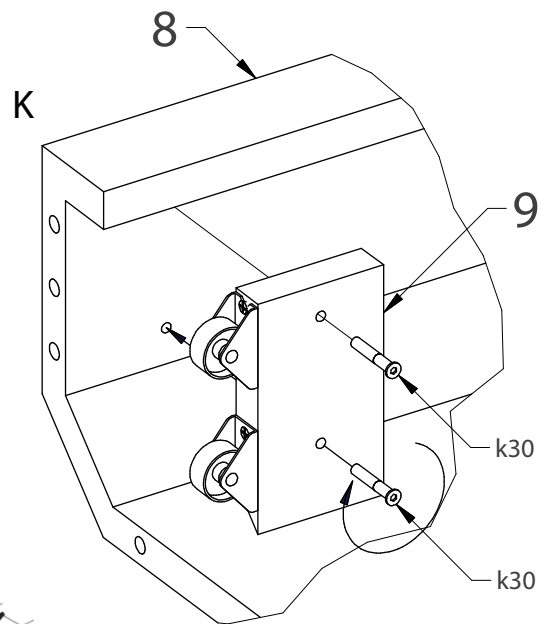
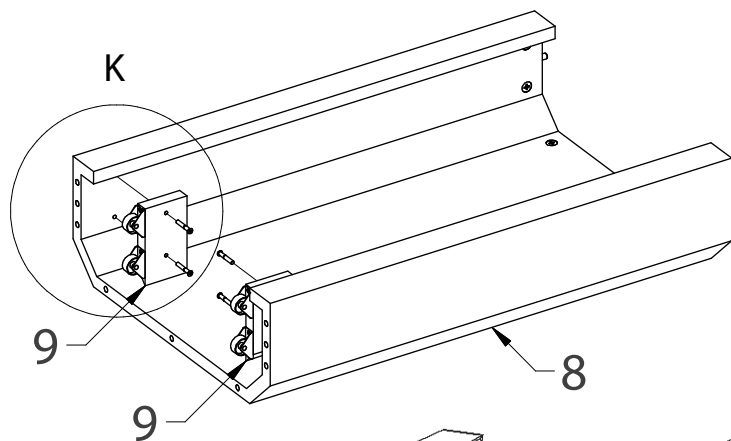
12	 x4m	 x14	<u>x2</u>
----	--	--	-----------



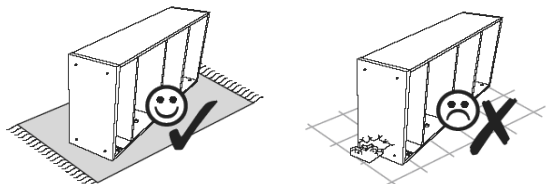
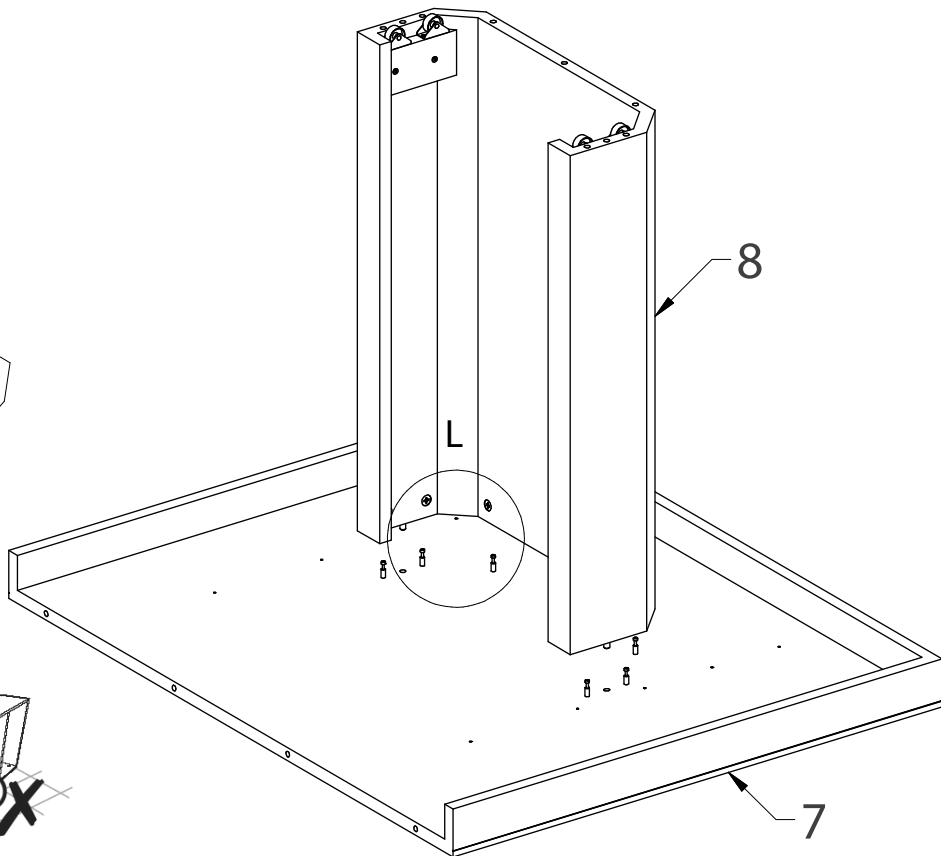
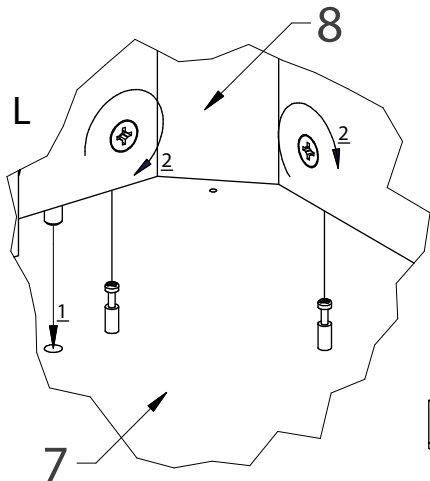
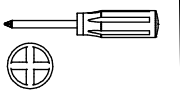
13	w16  x16	ko  x8	 	<u>x2</u>
----	---	---	---	-----------



14	k30  x8	z3  x8	<u>x2</u>
----	--	---	-----------



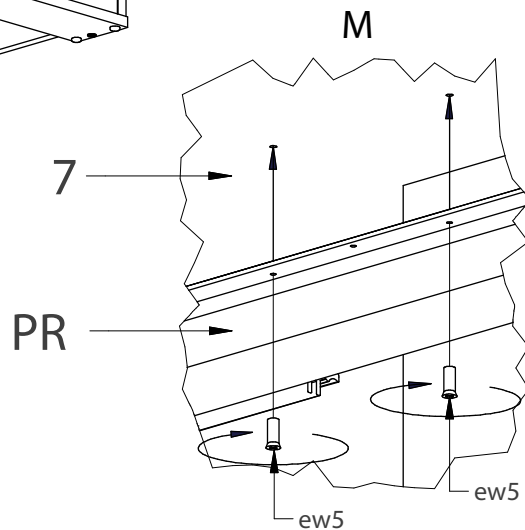
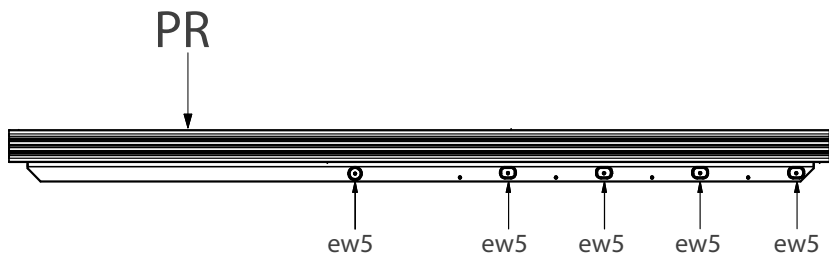
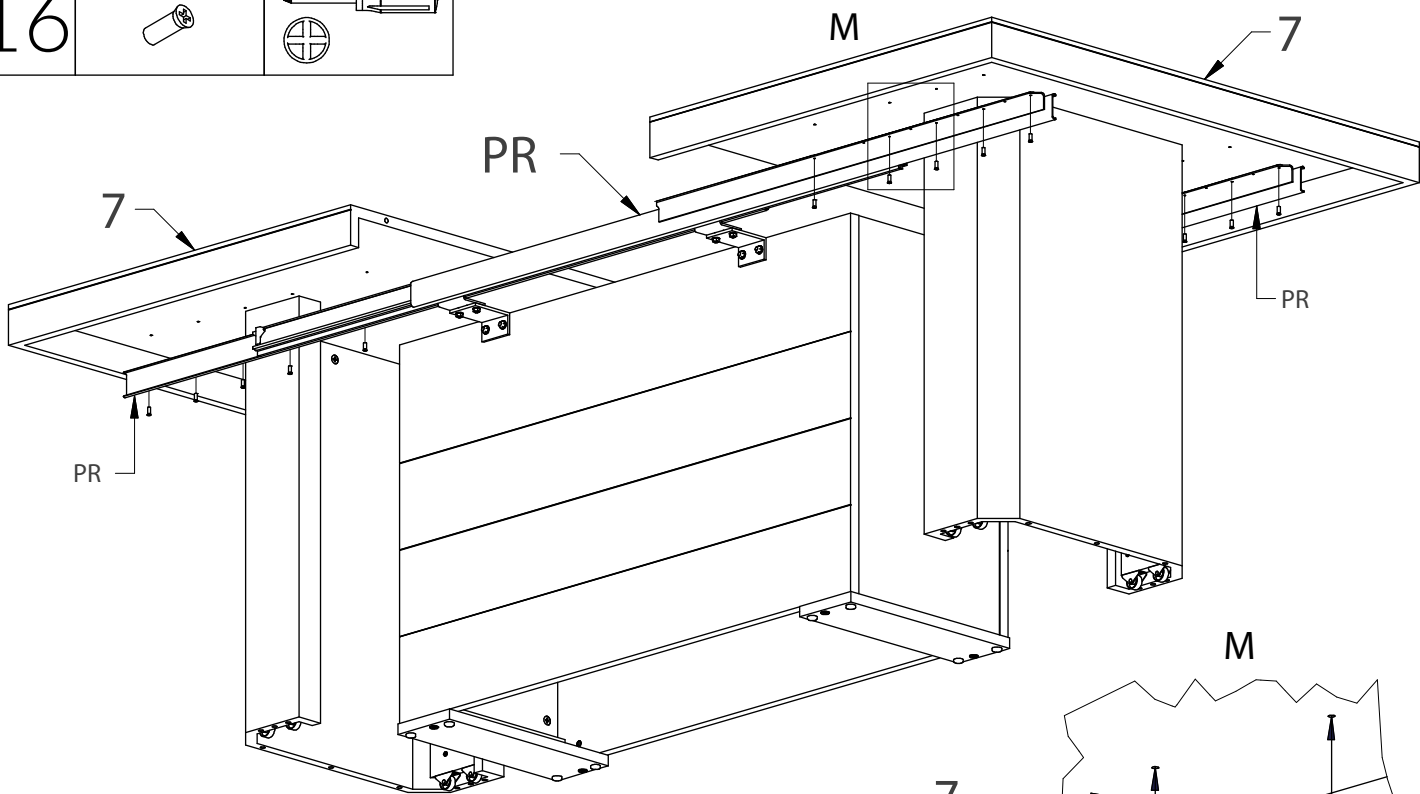
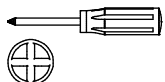
15



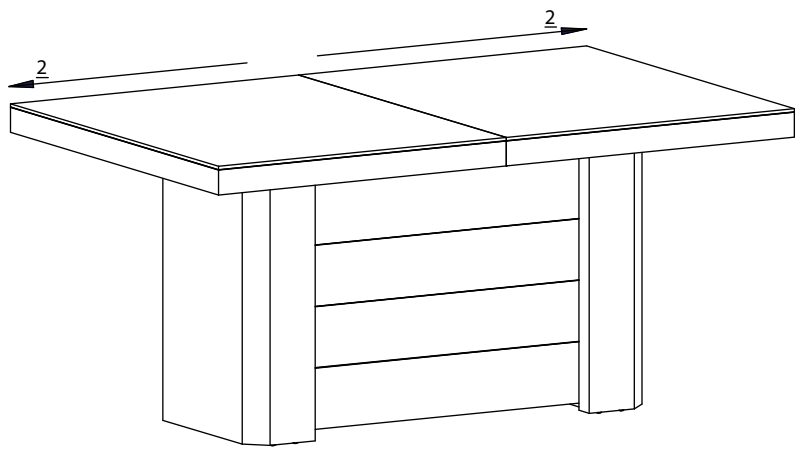
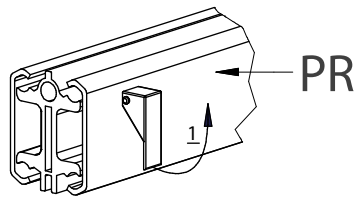
16

ew5

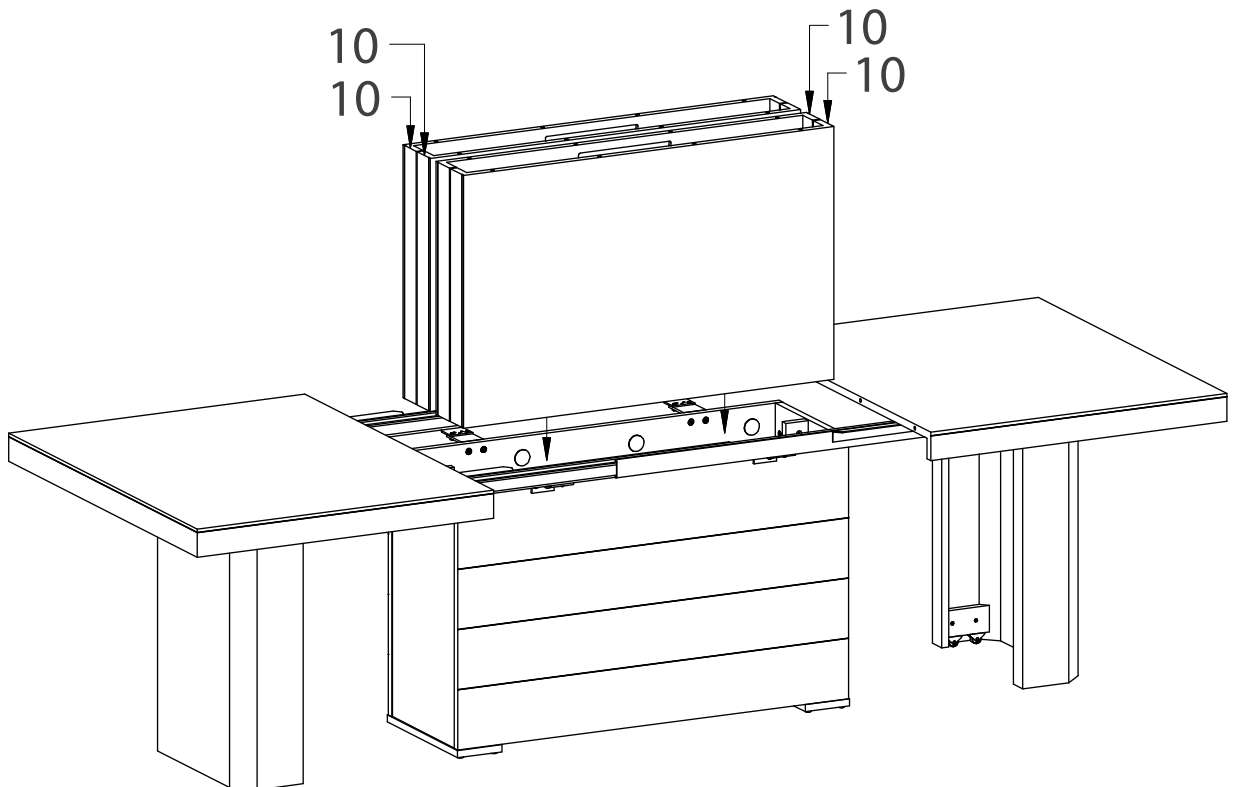
x20



17



18



„KOLOS” - 10 - x4

„KOLOS 2” - 10 - x2

19

